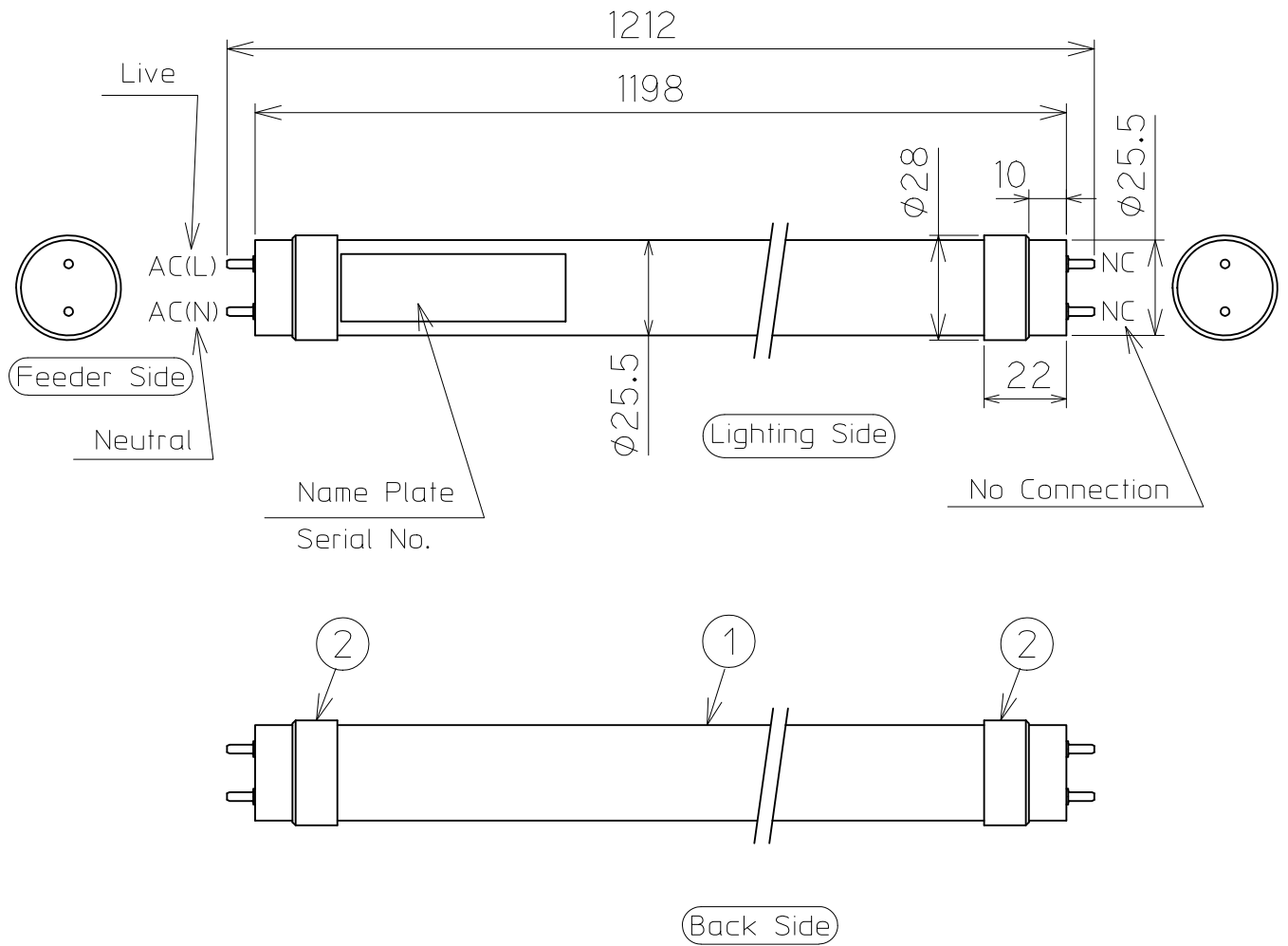


Feeder Terminal specifications



Optical Characteristics (Representative value)

Product Number	Color Temperature	Luminous Flux	Wattage	AC Input	Weight	pin base	Life time
FG8C-4TD2113F4A	6,500K	2,100lm	13.3W	220~277V	240g	G13	40,000h
FG8C-4TN2113F4A	5,000K	2,100lm					
FG8C-4TW2113F4A	4,000K	2,100lm					
FG8C-4TV2013F4A	3,500K	2,000lm					

2	Pin base	PBT/Brass	2	
1	PC Cover	Polycarbonate	1	
No	Parts Name	Material	PCS	notes

Product Name	4' T8 Internal Driver LED Tube	Profile
		White
Product Number		
FG8C-4T×2×13F4A		